



# Ball Bearing Slide Series

120 lb.  
1" Over-Travel  
Ball Bearing Slides



## The CGS slide offers the following...

### Features

- ▶ Heavy Gauge Steel Construction
- ▶ Front Levered Disconnect
- ▶ 32mm Hole Pattern
- ▶ Ball Bearing Carriage Hold Out Feature
- ▶ 1/2" Side Clearance
- ▶ 120 Lb. Dynamic Weight Capacity ANSI
- ▶ BIFMA Tested and Certified
- ▶ WI Tested and Certified
- ▶ Steel Rear Mounting Brackets

### Applications

- ▶ Store Fixtures
- ▶ Architectural Millwork
- ▶ Office Furniture
- ▶ Kitchen Cabinets
- ▶ Medical Equipment
- ▶ Manufactured Housing



COMTRADSOURCING.com  
1-866-200-0564

# 1" Over Travel Slide

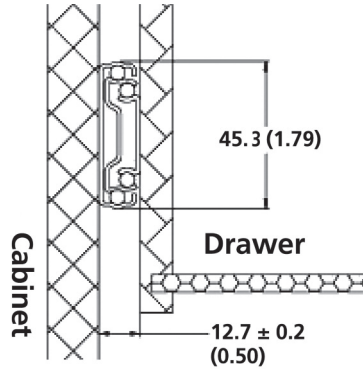


## Full Extensions Side Mount Ball Bearing Slide

### Specifications

- Length:** 10" to 28"  
(250 mm-700 mm)
- Height:** 45.3 mm (1.79")
- Side Space:** 12.7 mm ±0.2 (1/2")
- Travel:** 1" Over Travel
- Mount:** Sidemounted
- Load:** 54kg (120 lb.) Pair (Max)
- Disconnect:** Lever Disconnect
- Finish:** Clear Zinc
- Material:** Cold Rolled Steel
- Packaging:** 10 Pair/Carton

### Side Clearance



### ORDERING INFORMATION

Item	Description	Carton Quantity
280-1010-1	250 mm (10")	120 lb. 10
280-1011-1	300 mm (12")	120 lb. 10
280-1012-1	350 mm (14")	120 lb. 10
280-1013-1	400 mm (16")	120 lb. 10
280-1014-1	450 mm (18")	120 lb. 10
280-1015-1	500 mm (20")	120 lb. 10
280-1016-1	550 mm (22")	120 lb. 10
280-1017-1	600 mm (24")	120 lb. 10
280-1018-1	650 mm (26")	120 lb. 10
280-1019-1	700 mm (28")	120 lb. 10
280-1020	Rear Mounting Brackets	100

### HOLE PATTERNS

#### Cabinet Members

#### Drawer Members

